

---

To: Nick Thomson  
From: Mark Lopez  
Date: August 6, 2007  
Subject: 2465-2483 East Bayshore Road, Palo Alto – Site Assessment

---

This purpose of this document is to provide the Technology findings observed during a recent visit to the building mentioned below. The areas observed were the MPOE, IDFs and various suites.

Date of site visit: August 03, 2007

### **Office Information**

Office	Embarcadero Corporate Center
Address	2665-2483 East Bayshore Road
City	Palo Alto
State	CA
Zip	94303
Main Phone number	650.373.1230
Fax	650.373.1617
Contact	Nick Thomson
Phone	650.373.1313
Cell	650.678.4000
Fax	650.373.1617
Email	nthomson@ecp-llc.com

### **Overall Condition:**

This property consists of four two-story buildings attached by common lobbies between pairs of buildings. The location of the complex allows for easy access to Highway 101. The buildings are well maintained and feature an open park-like area in the center of the complex. There is one elevator for the complex, which is located in the main lobby between Buildings 2465 and 2483.

### **Summary**

Telco Services Minimum Point Of Entry	Yes
Telco Services Minimum Point Of Entry location	Building 2465 – first floor
Copper Facilities	Yes
Copper Facilities Capacity	1000 pair
Fiber Facilities	No
Fiber Facilities Equipment	No
Core Wireless Service	None observed – would be at tenant level
Cable TV	Multiple satellite dishes on the roof

## Site Assessment

### Term Index

MPOE	<b>Minimum Point Of Entry</b> – A room where the local exchange company terminates the cable used to deliver Telco Services for communication to outside the building. In addition, it provides the connection point for these services and the office areas, via tie cables.
IDF	<b>Intermediate Distribution Frame</b> - A room or series of rooms that are strategically located throughout a building to provide the connection point between the MPOE and individual office areas.
LEC	<b>Local Exchange Company</b> – The company that installs and maintains the cable between the building MPOE and the LEC’s Central Office where local circuits originate, which they also provide.
Telco Facilities	The physical layer consisting of copper and fiber cable and termination be it active or passive.
Telco Services	The circuits that are used to provide voice and/or data connection between active equipment and the public network.

### MPOE

The MPOE is located on the first floor of Building 2465 between the restrooms and the lobby. The door into the MPOE is labeled Main Phone/Electrical Equipment. Multiple copper feeders are run from the street (LEC) and into the MPOE. The MPOE is fairly clean though some cross-connect neatening is recommended.

The copper Telco Facilities consist of multiple cables that total 1000-pair, which terminate on 66-style termination blocks attached to the plywood backboard. This termination point includes a fused protection field. There are basic phone lines and DS1/T1s delivered on this cable.

No fiber cable / facilities have been delivered to the MPOE or to the rest of the complex.

In addition, the MPOE is used to distribute Telco Services into the office areas via tie cables to the building IDFs.

### IDF

Each of the four buildings has at least one IDF per floor though some floors have multiple IDFs. The tie cables between the MPOE and the IDFs vary in the quantity of pairs, which are terminated on 66-style termination blocks. The tie cable pairs are not identified very well on the termination blocks in the MPOE or in all of the IDFs. The IDFs include both station cable termination directly from suites and tie cables into other suite areas where other communication closets or Server Rooms are expected to reside. Some IDFs are room-sized while others are closet-sized with access in the hallways.

The second floor IDF 2.1 in Building 2471 is located inside of Suite 600, which occupies the whole floor.

The second floor IDF 2.1 in Building 2483 was not located. It may no longer exist due to past construction.

Specific IDF information is as follows:

Building	Floor	Identified	Pair Quantities	Fed From
2465	First	1.1	300	MPOE
2465	First	1.2	300	MPOE
2465	First	1.3	100	2465 – 1.1
2465	Second	2.1	100	MPOE
2471	First	1.1	400	MPOE
2471	First	1.2	200	2471 – 1.1
2471	Second	2.1	100	MPOE
2479	First	1.1	400	MPOE
2479	Second	2.1	300	2479 – 1.1
2479	Second	2.2	200	2479 – 1.1
2483	First	1.1	200	MPOE
2483	First	1.2	200	MPOE
2483	Second	2.1	<i>unable to locate</i>	<i>unable to locate</i>
2483	Second	2.2	200	MPOE

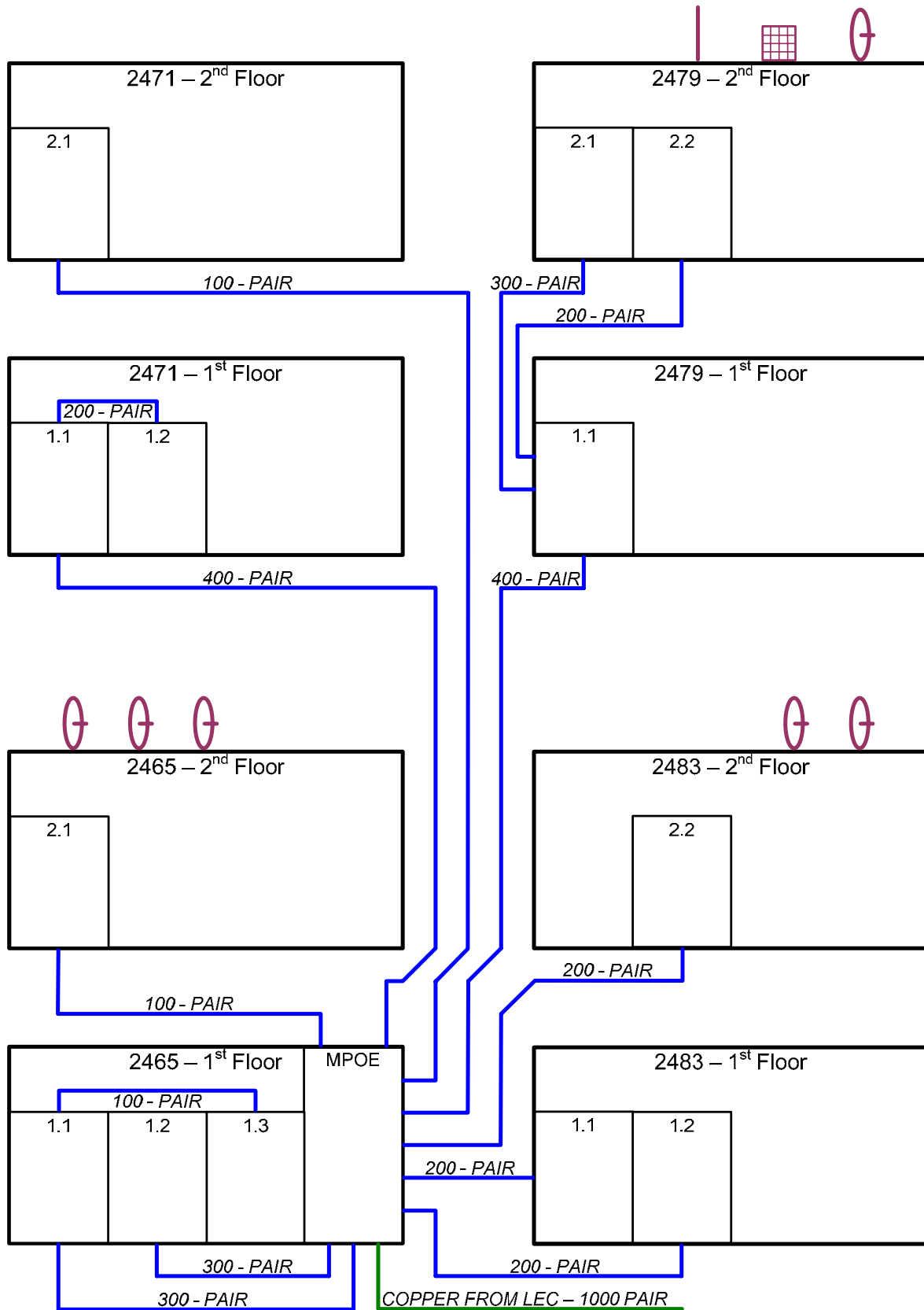
Wireless Service

There was no building wireless service devices observed. Some building tenants may have their own wireless services installed for their own use.

Cable/Satellite

There is at least one satellite dish located on three of the four buildings. Three dishes are located on Building 2465, two dishes on Building 2483 and one dish on Building 2479. Two other types of antennas were located on the roof of Building 2479 though the use is unknown. A single coax cable was located in the MPOE but it was not connected on one of the ends. No coax cable or connections were observed in the IDFs therefore, it is expected that the services are fed directly into individual suites for their internal use only.

Riser Diagram



**Photos of the site**



The MPOE location in Building 2465 – first floor. The MPOE has an interior access only.



This is the entry point from the “street” (LEC) for the copper Telco Facilities, fused protection field and termination point. The blue field is for the IDF feeders.



Some additional termination points for the IDF feeders in the MPOE.



A typical closet-sized IDF.



Equipment rack in Building 2483 – IDF 1.1 that is expected to be abandoned and not in use.



Items stored right in front of the termination field in Building 2471 – IDF 1.1. Items should be removed or displaced to the side for easy access and work space clearances.



Satellite dishes located on the roof of Building 2465.



Coax cable located inside the Mechanical Room in Building 2465 – second floor. These cables pass through a conduit and into the ceiling space of the first floor. The final destination is unknown but is expected to be in suites.